

## Slim duct

### Features

Whether installed in a ceiling void or in a false ceiling, Toshiba new slim-duct offers the ultimate technology, with exceptional energy savings, high performance and easy installation.

This ultra flexible, invisible and silent unit creates a pleasant and comfortable environment for a wide range of applications, such as hotels, offices, shops, etc.

### Key features

Very slim design: only 21 cm height, for easier and more flexible installation.

Very low noise level: it can operate down to 24 dB(A).

Flexible installation: ideal for sites with restriction on the space above ceiling level, the unit features a high-lift drain pipe (850 mm).

Perfect comfort throughout the room: can be used with any kind of air diffuser.

Unobtrusive: concealed installation within a ceiling void.

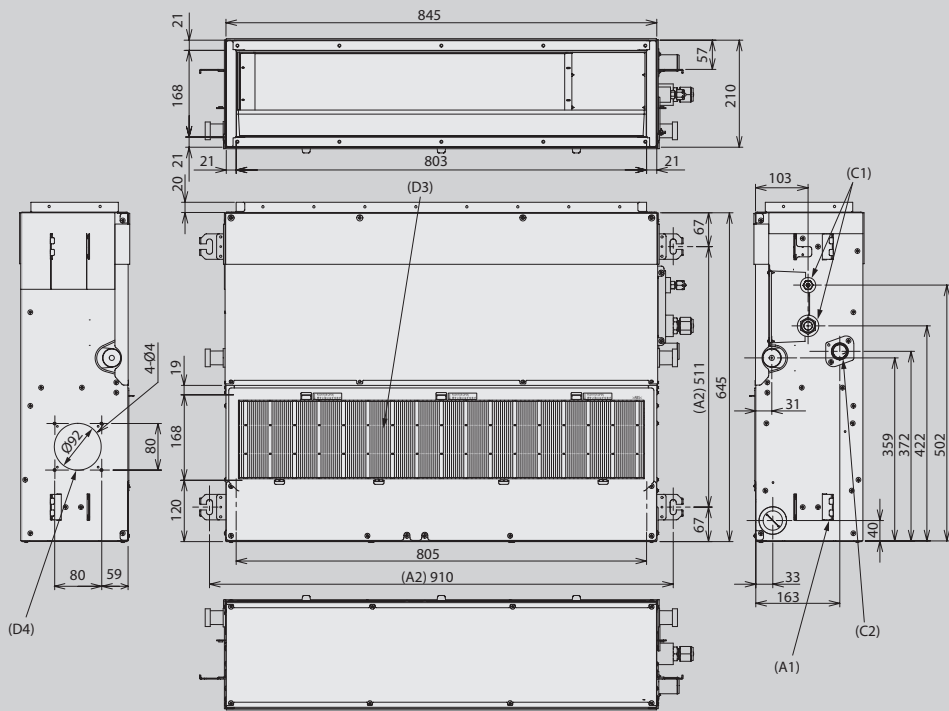
**MMD-AP\*\*\*1SPH**

### Technical specifications heat pump

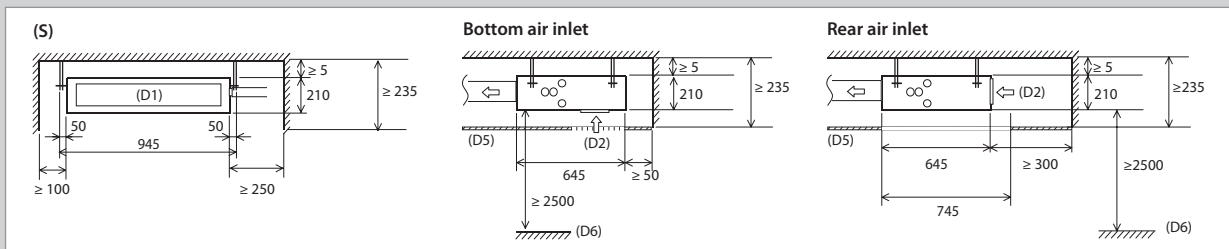
Indoor unit	MMD-	AP0071SPH	AP0091SPH	AP0121SPH	AP0151SPH	AP0181SPH
Cooling capacity	kW	2,2	2,8	3,6	4,5	5,6
Heating capacity	kW	2,5	3,2	4,0	5,0	6,3
Power consumption	kW	0,039	0,039	0,043	0,045	0,054
Running current	A	0,29	0,29	0,31	0,32	0,39
Starting current	A	0,51	0,51	0,54	0,56	0,68

Indoor unit	MMD-	AP0071SPH	AP0091SPH	AP0121SPH	AP0151SPH	AP0181SPH
Air flow (h/l)	m <sup>3</sup> /h	540/400		600/450	690/520	780/580
Air flow (h/l)	l/s	150/111		166/125	191/144	216/161
Sound pressure level, rear suction (h/l)	dB(A)	28/24		29/25	32/28	33/29
Sound pressure level, bottom suction (h/m/l)	dB(A)	36/33/30		38/35/32	39/36/33	40/38/36
Sound power level (h/m/l)	dB(A)	51/48/45		53/50/47	54/51/48	55/53/51
Dimensions (h x w x d)	mm	210 x 845 x 645			210 x 845 x 645	
Weight	kg	22			23	
External static pressure	Pa	6 (Factory setting)-16-31-46, 4steps		5 (Factory setting)-15-30-45, 4steps		4 (Factory setting)-14-29-44, 4 steps
Connecting pipe (gas - liquid)		3/8" - 1/4"			1/2" - 1/4"	
Drain port diameter	mm	25				
Power supply	V-ph-Hz	220/240-1-50				

All sizes



- (A1) Hole for hanging bolt 4-Ø12x72
- (A2) Hanging bolt pitch
- (C2) Drain pipe connecting port
- (C3) Refrigerant pipe connecting port (Gas side)
- (C4) Refrigerant pipe connecting port (Liquid side)
- (D1) Air outlet
- (D2) Air inlet
- (D3) Air filter
- (D4) Fresh air inlet (knock-out hole)
- (D5) Ceiling
- (D6) Floor surface
- (S) Space required for installation and servicing



(Unit: mm)

Options

