



MMF-AP\*\*\*1H

## Floor standing

### Features

This system is particularly suitable to air condition large rooms with low ceilings such as restaurants or lofts.

The units offer high air flow rates and superior air throw values.

Their wide air distribution angle permits air conditioning of larger rooms.

### Key features

Reduced footprint: two sizes, 0,128 m<sup>2</sup> up to 8 kW and 0,243 m<sup>2</sup> up to 16 kW.

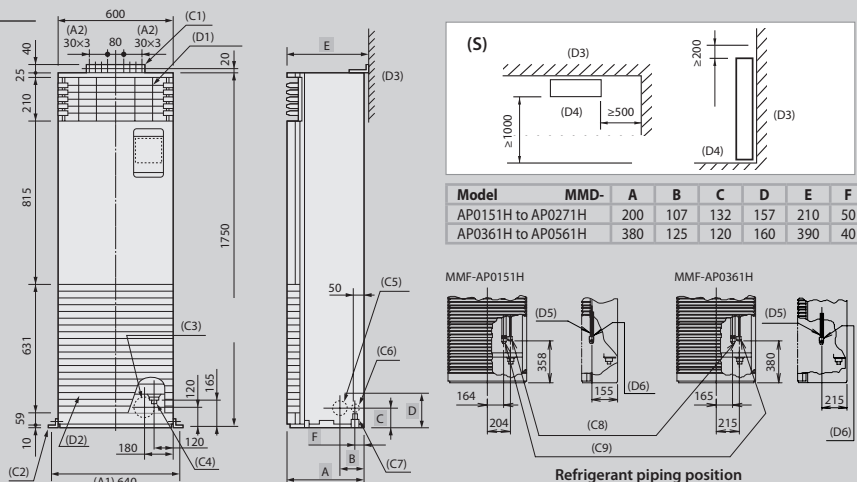
High air flows: from 180 l/s to 600 l/s (660 m<sup>3</sup>/h to 2160 m<sup>3</sup>/h).

Wide air distribution angle: up to 150°.

Large capacity range: cooling capacities from 4,5 kW to 16 kW and heating capacities from 5 kW to 18 kW.

### All sizes

- (A1) Floor fixing bracket screw positions
- (A2) Pitch
- (C1) Bracket for wall mounting
- (C2) Bracket for floor mounting (both sides)
- (C3) Rear side pipe hole (Ø130 knockout hole)
- (C4) Drain hose base
- (C5) Pipe holes on side (both sides) (knockout hole)
- (C6) Drain hose outlet port (both sides) (knockout hole)
- (C7) Earth screw (M4)
- (C8) Refrigerant piping joint (Liquid side)
- (C9) Refrigerant piping joint (Gas side)
- (D1) Air outlet
- (D2) Air inlet
- (D3) Wall
- (D4) (Front side)
- (D5) Liquid side
- (D6) Gas side
- (S) Space required for installation and servicing



### Technical specifications heat pump

Indoor unit	MMF-	AP0151H	AP0181H	AP0241H	AP0271H	AP0361H	AP0481H	AP0561H
Cooling capacity	kW	4,5	5,6	7,1	8,0	11,2	14,0	16,0
Heating capacity	kW	5	6,3	8,0	9,0	12,5	16,0	18,0
Power consumption	kW	0,15		0,19		0,28	0,35	
Running current	A	0,67		0,88		1,29	1,6	
Starting current	A	0,9		1,1		1,7	2,1	

Indoor unit	MMF-	AP0151H	AP0181H	AP0241H	AP0271H	AP0361H	AP0481H	AP0561H
Air flow (h/l)	m <sup>3</sup> /h	900/660		1200/840		1920/1380		2160/1560
Air flow (h/l)	l/s	249/183		332/233		532/382		598/432
Sound pressure level (h/m/l)	dB(A)	46/43/38		49/45/40		51/48/44		54/50/46
Sound power level (h/m/l)	dB(A)	64/61/56		67/63/58		69/66/62		72/68/64
Dimensions (h x w x d)	mm	1750 x 600 x 210		1750 x 600 x 210		1750 x 600 x 390		
Weight	kg	48		49		65		
Air filter		Standard filter attached (long life filter)						
Connecting pipe (gas - liquid)		1/2" - 1/4"		5/8" - 3/8"		5/8" - 3/8"		
Drain port diameter	mm	20		20		20		
Power supply	V-ph-Hz	220/240-1-50		220/240-1-50		220/240-1-50		