

MMU-AP*2WH**

NEW

2-way Air Discharge Cassette Type

Features

Slim, compact, light-weight and easy to install, it fits discretely any room interior.

In addition, thanks to its silent operation, this model creates a very pleasant, quiet and comfortable environment.

With its new white decoration panel this new unit fits in ceilings where the standard 4-way cassette is already installed.

Key features

Compact dimensions (height 295mm) and limited weight (19 kg) for units up to 4,5 kW.

Unique air flow control: the air current is balanced between two directions, for maximum comfort.

Flexible installation: the condensate drain pump raises drain piping up to 850 mm.

Enhanced Indoor Air Quality: standard long-life filters.

Fresh air intake: ensures constant air renewal.

Wide range of accessories, including a wireless infrared remote control kit.

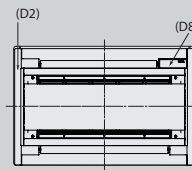
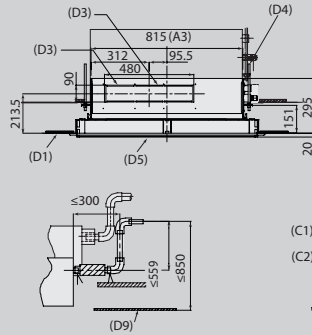
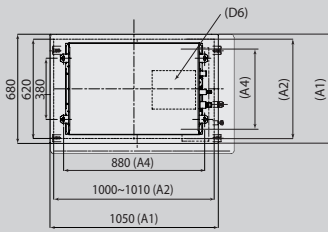
For ceilings height up to 3,8 m (4 to 6 HP)

Technical specifications heat pump

Indoor unit	MMU-	AP0072WH	AP0092WH	AP0122WH	AP0152WH	AP0182WH	AP0242WH	AP0272WH	AP0302WH	AP0362WH	AP0482WH	AP0562WH
Cooling capacity	kW	2,2	2,8	3,6	4,5	5,6	7,1	8,0	9,0	11,2	14,0	16,0
Heating capacity	kW	2,5	3,2	4,0	5,0	6,3	8,0	9,0	10,0	12,5	16,0	18,0
Power consumption	kW	0,029	0,029	0,029	0,030	0,044	0,054	0,054	0,064	0,073	0,088	0,117
Running current	A	0,23	0,23	0,23	0,24	0,32	0,39	0,39	0,46	0,48	0,57	0,75
Starting current	A	0,35	0,35	0,35	0,36	0,48	0,59	0,59	0,69	0,72	0,86	1,13

Indoor unit	MMU-	AP0072WH	AP0092WH	AP0122WH	AP0152WH	AP0182WH	AP0242WH	AP0272WH	AP0302WH	AP0362WH	AP0482WH	AP0562WH
Air Flow (h/m/l)	m ³ /h	558/498/450			600/534/450	900/750/618	1050/840/738		1260/900/780	1740/1434/1182	1800/1482/1230	2040/1578/1320
Air Flow (h/m/l)	l/s	155/138/125			167/148/125	250/208/172	291/233/205		350/250/780	483/398/328	500/412/342	567/438/367
Sound pressure level (h/m/l)	dB(A)	34/32/30			35/33/30	35/33/30	38/35/33		40/37/34	42/39/36	43/40/37	46/42/39
Sound power level (h/m/l)	dB(A)	49/47/45			50/48/45	50/48/45	53/50/48		55/52/49	57/54/51	58/55/52	61/57/54
Dimensions (HxWxD)	mm	295 x 815 x 570					345 x 1180 x 570			345 x 1600 x 570		
Weight	kg	19					26			36		
Panel dimensions (HxWxD)	mm	20 x 1050 x 680					20 x 1415 x 680			20 x 1835 x 680		
Panel weight	kg	10					14			14		
Connecting pipe (gas - liquid)		3/8" - 1/4"	3/8" - 1/4"	3/8" - 1/4"	1/2" - 1/4"	1/2" - 1/4"	5/8" - 3/8"	5/8" - 3/8"	5/8" - 3/8"	5/8" - 3/8"	5/8" - 3/8"	5/8" - 3/8"
Air filter		standard filter attached (long life filter)										
Drain port diameter	mm	25										
Power supply	V-ph-Hz	220/240-1-50										

007 / 009 / 012 / 015



- (A1) Panel external dimension
- (A2) Ceiling open dimension
- (A3) Unit external dimension
- (A4) Hanging bolt pitch

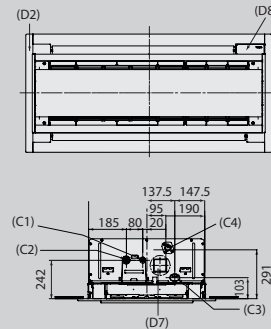
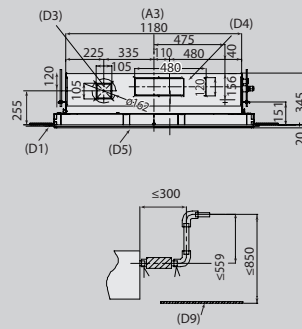
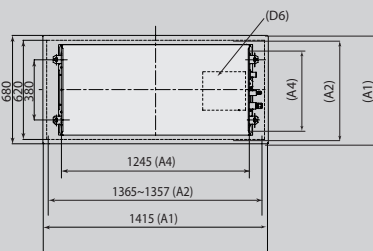
- (C1) Refrigerant pipe connecting port (Gas side)
- (C2) Refrigerant pipe connecting port (Liquid side)
- (C3) Power supply connecting port
- (C4) Drain pipe connecting port Inner $\phi 32$, Nominal $\phi 25$ for vinyl chloride pipe

- (D1) Bottom face of ceiling
- (D2) Adjust cover
- (D3) Branch duct knockout hole
- (D4) Hanging bolt 4-M10 procured locally
- (D5) Ceiling panel (Sold separately)
- (D6) Electric parts box
- (D7) Knock hole for air intake (Only at reverse side)
- (D8) Wireless sensor mounting section
- (D9) Ceiling

(Unit: mm)

Drain standing-up size

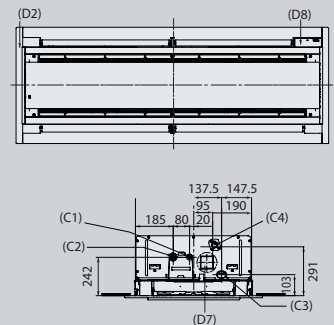
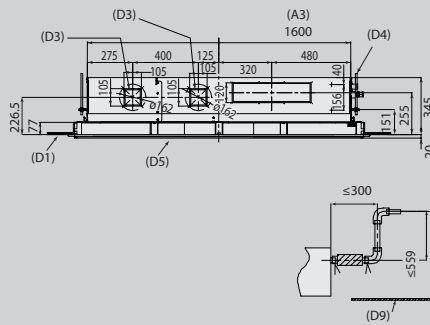
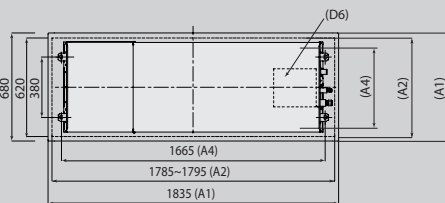
018 / 024 / 027 / 030



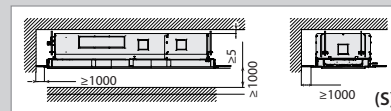
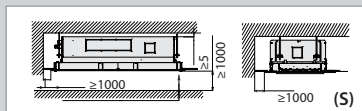
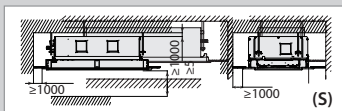
(Unit: mm)

Drain standing-up size

036 / 048 / 056



(Unit: mm)



(S) Space required for installation and servicing

Options

- Ceiling panel
- RBC-UW283PG(W)-E
- RBC-UW803PG(W)-E
- RBC-UW1403PG(W)-E

